

naxa

AMPLIFIED ANTENNA SUITABLE FOR HDTV AND ATSC DIGITAL TELEVISION WITH CAR CORD



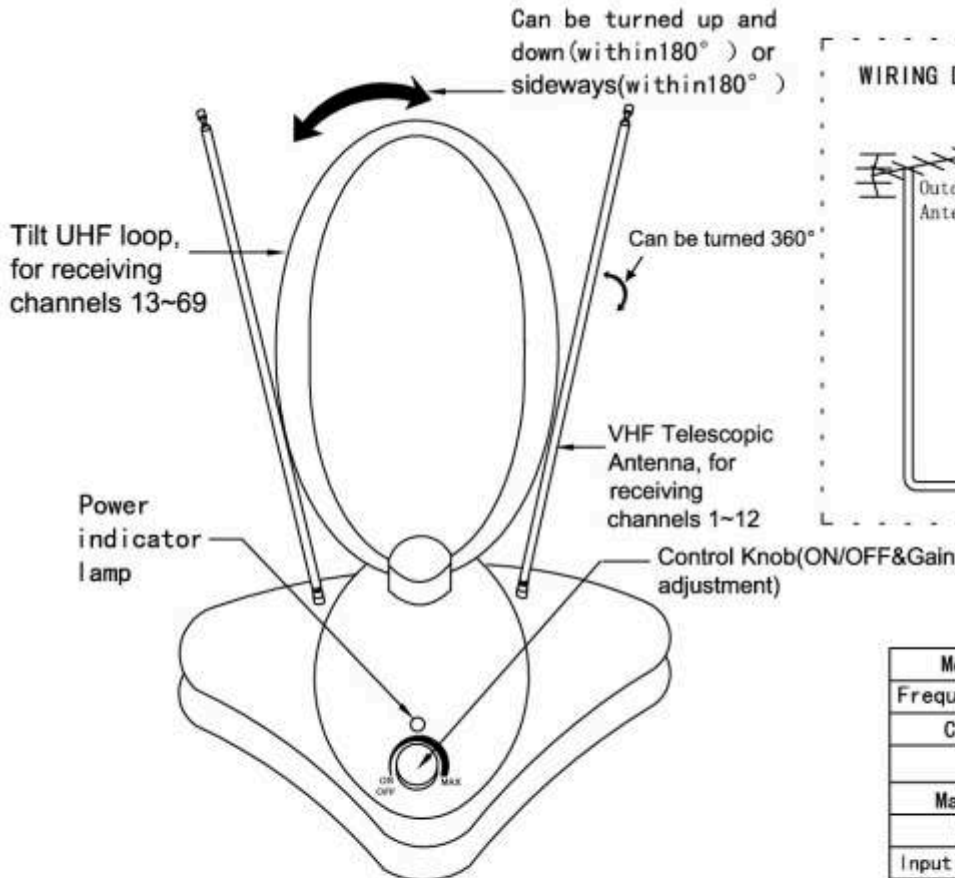
NAA-301

HOW TO USE:

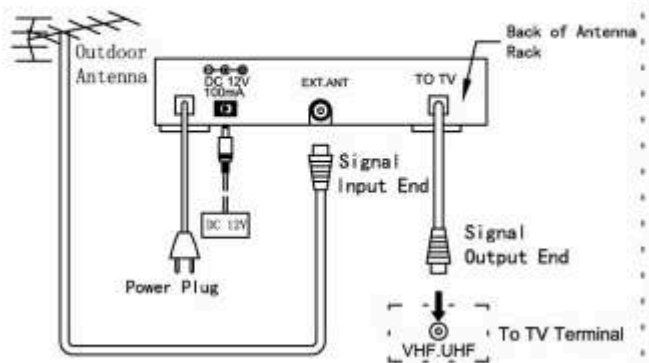
1. Insert the "TO TV" plug for signal output from this unit into the signal input jack on the back of the TV set.
2. Insert the power plug of this unit into suitable AC power socket. Insert the output end of the signal wire of the outdoor antenna into the signal input jack, which is marked with "EXT. ANT" on the back of this unit. (See the Wiring Diagram)
3. There is a control knob on the front panel of this unit. It can serve as power switch and can also be used to adjust the gain. Turn it to a proper position for the antenna rack to enter working state with suitable gain.
4. For receiving VHF signals, first turn the telescopic antenna (within 360°) to a proper position, then adjust the antenna's length and angle to improve the receiving effect, finally adjust the control knob to obtain a proper gain for best receiving effect.
5. For receiving UHF signals, first turn the HF oscillator frame up and down (within 180°) or sideways (within 180°) to a proper position, then adjust the control knob to obtain a proper gain for best receiving effect.
6. The FM signals received by the antenna will be amplified by the internal amplification circuit of the antenna rack and then output to the input jack on the TV set through the "TO TV" plug.
7. The antenna direction for the best effect varies for different channels.
8. Program pictures may be distorted when the outdoor antenna is shifted.
9. If the receiving effect remains poor, the cause may be strong electromagnetic field or other major interferences in the area.

CAUTIONS:

- Please read through this instructions before use.
- Please keep this unit out of reach of little children or pets.
- Please unplug the power cord if you plan to travel for some time or to stop use of this unit for a long time.



WIRING DIAGRAM:



Model No	NAA-301
Frequency Range	40-230, 470-862MHz
Channel	VHF: 1-12 UHF: 13-69
Gain	VHF: 26dB UHF: 28dB
Max Output	100dB
Noise	≤ 6 dB
Input Resistance	75 Ω
Output Resistance	75 Ω
Power Voltage	AC 110V ~ 60Hz